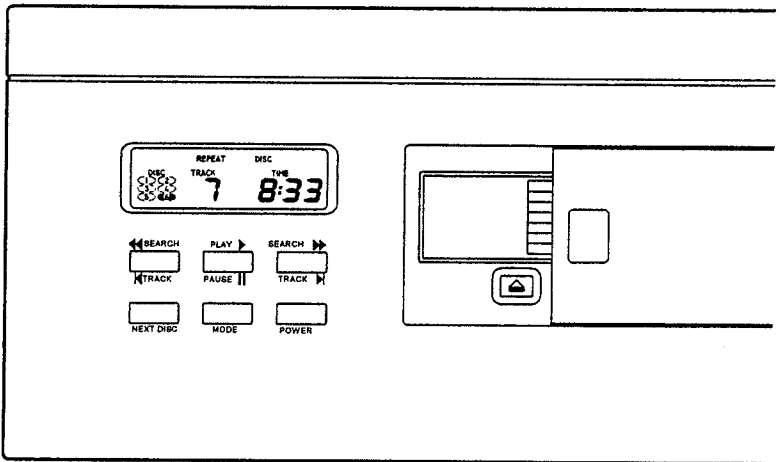

MCD6M
6-DISC DIGITAL COMPACT DISC PLAYER

OWNER'S GUIDE



 **m&s**TM
f i n e h o m e a c o u s t i c s

CONGRATULATIONS

Your purchase of an M & S Systems built-in 6-disc digital compact disc player is an investment that will provide years of service and convenience. M & S Systems built-in music systems are backed with more than 50 years of experience in the design and manufacture of quality built-in electronic systems.

This booklet contains the information you need to get the most enjoyment from your Model MCD6M digital compact disc player as well as important warranty information. Retain this booklet for future reference.

CONTENTS

ABOUT YOUR SYSTEM	2
CONTROLS AND FEATURES	3
FUNCTIONS	4
HANDLING DISCS	5
LOADING DISCS	5
UNLOADING DISCS	6
LOADING DISC MAGAZINE	6
UNLOADING DISC MAGAZINE	7
CARE AND MAINTENANCE	8
TROUBLESHOOTING TIPS	8
WARRANTY	9
NOTES	10

NOTE: Product specifications are subject to change without notice.

Copyright © 2003 by M&S Systems

ABOUT YOUR SYSTEM

The MCD6M from M&S Systems is a high-quality CD player designed to compliment your built-in M&S Systems musical intercom system. Your MCD6M digital compact disc player includes these outstanding features:

- One 6-disc magazine (additional magazines available)
- Random track/disc selection
- Highly visible backlighted LCD display
- Elapsed time display for selected track
- Numeric indicator for selected track
- Graphic indication of selected disc and installed discs
- Track search forward and reverse
- Pause/resume feature
- Next/previous track selection
- Compatible with all M&S Systems musical intercoms
- Plays all 5" compact discs labeled with



Additional 6-disc magazines are available. Fill one magazine with your favorite Jazz CD's, another with Rock 'n Roll, and another with Classical. Contact your local M&S dealer or call Customer Service at (800) 877-6631 .

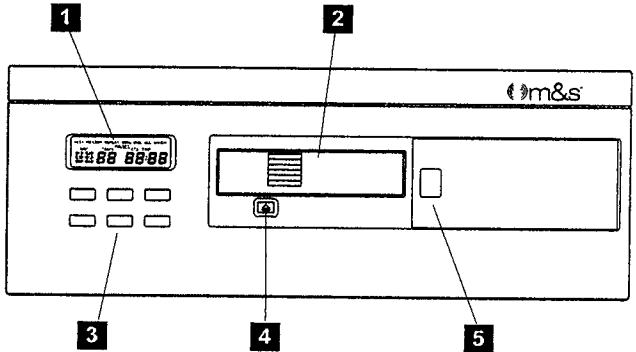
Like all M&S Systems products, the MCD6M compact audio disc player is designed to make your home atmosphere more enjoyable. M&S Systems is committed to producing high quality products for your home. If you have any questions about the operation of your system, please call Technical Support at (800) 366-9422.

CONTROLS AND FEATURES

The illustration below shows the controls and features you use to operate the Model MCD6M.

- 1** Display - Provides visual indication of the MCD6M's status and operational settings.

Display light control - If you do not wish to have the display light come on, you may disable it by pressing Track up and Mode at the same time and holding for 3 seconds. Pressing this combination of buttons again for 3 seconds will return the display light to normal operation.

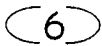


- A** Status/operating mode indicators

- B** Disc indicators



Currently selected disc



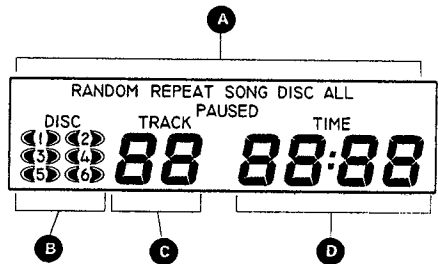
Disc is installed but not selected



Disc is not installed (blank)

- C** Track number

- D** Track elapsed time



- 2** 6-disc magazine - Removable magazine that holds 6 compact discs.

- 3** Controls - Used to operate and setup the MCD6M compact disc player.

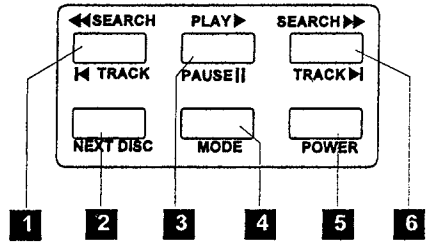
- 4** Eject - Button used to eject the disc magazine

- 5** Door slide - Used to access the disc magazine

FUNCTIONS

The illustration below shows the controls and features of your Model MCD6M. You may need to refer to the operating guide for your music-intercom for additional information.

1 TRACK DOWN/SEARCH-Pressing and holding this button fast reverses toward the beginning of the current track. You will also hear short samples of the track as it reverses through the selected track. Momentarily pressing this button returns play to the beginning of the current track. A double press of this button will jump to the previous track.



2 NEXT DISC - Press this button to advance to the next disc. A particular disc may be selected by pressing this button repeatedly until the desired disc is indicated on the display.

3 PLAY/PAUSE - Press this button to alternately pause or play the CD.

4 MODE -This button cycles the CD player through each of its five different modes as described below. Additionally, holding the mode button down will display the total number of tracks and total time of the CD.

Normal	Each track is played in order before advancing to the next disc.
Repeat song	Repeats the current track
Repeat disc	Plays the current disc sequentially and then starts over at track 1.
Random disc	Plays tracks from the current disc in random order.
Random all	Plays tracks randomly from all discs.

5 POWER - This button turns the power to the MCD6M ON or OFF.

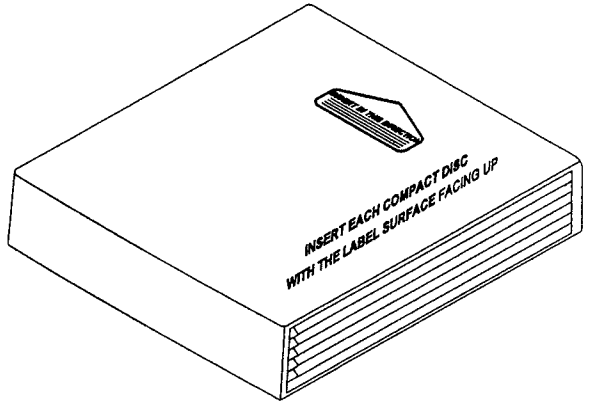
6 TRACK UP/SEARCH-Momentarily pressing this button advances play to the next track. Pressing and holding this button will fast forward through the currently selected track.

HANDLING DISCS

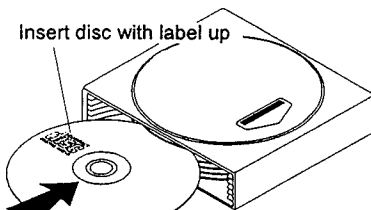
Compact discs are optically read plastic discs which require no maintenance. However, care must be taken to insure the readable surface is not contaminated by dirt, grime fingerprints, etc. Avoid touching the side opposite the label. This is the side that contains the digital information read by the MCD6M's laser. Compact discs should only be handled by the outer edges or center hub.

LOADING DISCS

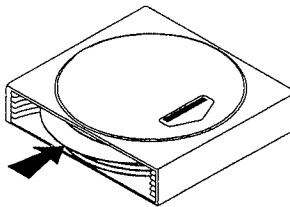
The 6-disc magazine used with the MCD6M contains 6 slots used to align each compact disc. These slots are numbered 1-6 starting from the bottom. The magazine does not have to have a disc loaded in each slot. The MCD6M will automatically sense which discs are installed and will accept play options for the installed discs only. Each disc must be installed with the label as shown below.



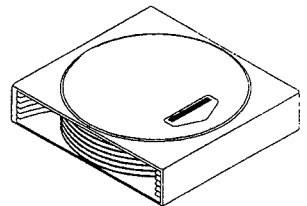
6-Disc magazine



STEP 1 - Insert disc into vacant slot (label up)



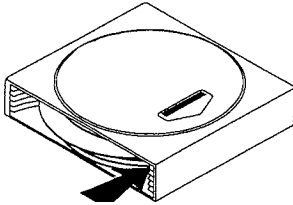
STEP 2 - Push disc in until it is fully seated and flush with the magazine



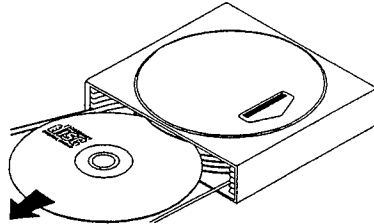
(disc shown fully seated)

UNLOADING DISCS

A disc can be removed by pulling the lever on the openside of the disc magazine as shown below. The disc can then be fully removed.



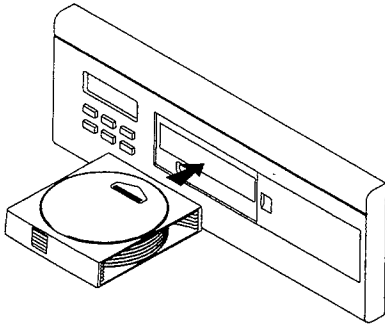
STEP 1 - Move lever corresponding to the disc to be removed.



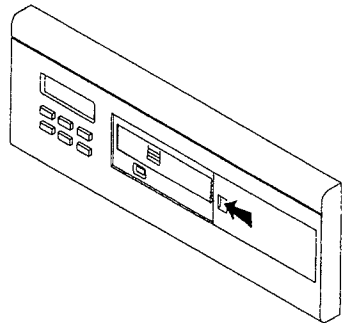
STEP 2 - Remove disc from magazine.

LOADING DISC MAGAZINE

The MCD6M plays discs installed in the disc magazine supplied with it. To install the disc magazine, slide the access door all the way to the right. Gently, insert the disc magazine into the exposed slot oriented as shown below. The access door can now be closed.



STEP 1 - Open magazine door and gently insert the magazine oriented as shown.

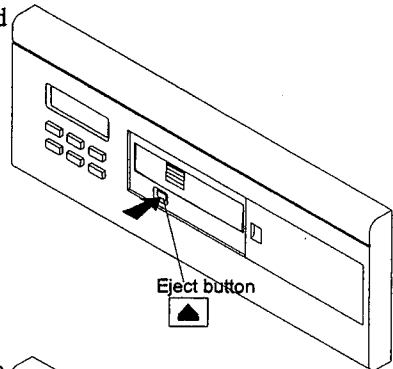


STEP 2 - Press the magazine in until it locks in place. Slide access door closed.

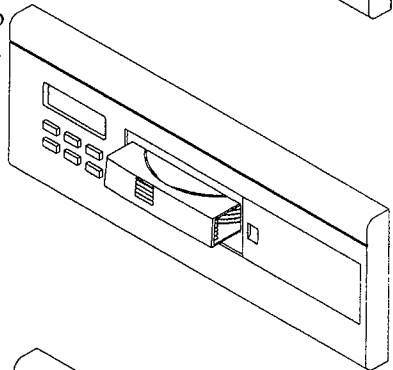
UNLOADING DISC MAGAZINE

Unloading the disc magazine is performed by first sliding the access door to the right. Next, press the eject button located below the window on the magazine. Pressing this button will activate the magazine release mechanism. When ejected, the magazine will extend outward 1". You may then pull the disc magazine out completely.

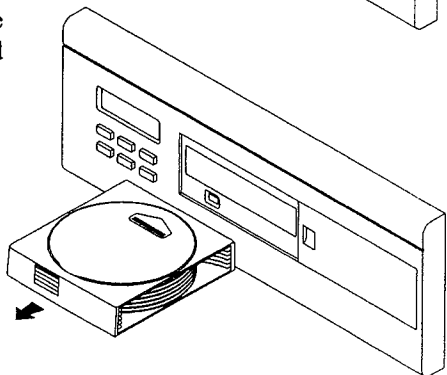
STEP 1 - open magazine door and press the eject button.



STEP 2 - Wait for the magazine to extend and stop (approximately 1 inch outward).



STEP 3 - Pull the magazine from the MCD6M player and close the sliding door.



CARE AND MAINTENANCE

No maintenance is required to provide reliable operation. The MCD6M can be cleaned using a slightly dampened cloth. No chemicals should be used to clean the face panel components. Many common household chemicals may damage or discolor the face panel components. Use care when cleaning the display window.

TROUBLESHOOTING TIPS

PROBLEM	WHAT TO CHECK
Will not power on	Check for tripped circuit breaker.
Magazine will not eject	Sliding door not opened fully. Check eject button connection. *See Note
"Err 07" displays when disc is selected for play	Disc is not readable or is installed in the magazine upside down. Disc must be installed with the label up.
"Err 07" displays while disc is playing	Disc is dirty, damaged, or scratched.
Display does not light	Press Track up and Mode at the same time and hold for 3 seconds to enable.
"Err 01" displays	Disc is jammed.
	Try ejecting the magazine.
Display shows disc is playing but nothing is heard	AUX is not selected on the radio-intercom master.
	Check to see if FM or AM plays on the radio intercom. If not, refer to troubleshooting section in the owner's guide for the radio-intercom master.

Manual Reset Procedure

In some cases, performing a reset on the MCD6M may resolve your problem. First try resetting the MCD6M player by pressing the **TRACK UP** and **POWER** buttons at the same time. If that does not work, remove the plastic front cover by pulling straight out and press the **RESET** button below the keypad. If your MCD6M player still does not operate, please contact your dealer or M&S Systems, Technical Support at (800) 366-9422.

Note: To check eject button connection, the face plate must be removed.

WARRANTY

M&S Systems Limited 2-Year Warranty

M&S Systems warrants its products to be free of defects for 2 years. The warranty period begins on either (a) the date of purchase or installation date of this product or (b) the date of closing on a new residence in which this product was originally installed.

The warranty extends to the original user of the product and to each subsequent owner of the product during the term of the warranty. M&S will repair or replace, at its option, parts and materials at no charge. Parts supplied under this warranty may be new or rebuilt at the option of M&S Systems.

If during the warranty period the product appears to have a defect, please call our toll free service number (800-366-9422) prior to dismantling. Dismantling the product prior to calling our service number may void the warranty. Before returning any product to M&S Systems, obtain a Return Authorization Number (RAN) from our service department. M&S Systems will return the repaired product freight prepaid within the continental United States. **ANY PRODUCT RETURNED TO M&S SYSTEMS WITHOUT A RAN NUMBER WILL BE REFUSED.**

This limited warranty is in lieu of any other warranties, express or implied, including any implied warranty of merchantability or fitness for a particular purpose or otherwise, and of any other obligations or liability on the seller's part. This limited warranty does not cover damage caused by improper installation, acts of God, criminal acts, the violation of applicable building or electrical codes or the use of non-M&S wire, cable (excluding CAT5 and RG-6) or wall housings.

Under no circumstances shall M&S Systems be liable for consequential, incidental or special damages arising in connection with use, or inability to use this product. In no event shall M&S Systems liability hereunder exceed the cost of the product covered hereby. No person is authorized to assume for us or obligate us for any other liability in connection with the sale of this product. Some states do not allow the exclusion or limitation of consequential, incidental or special damages, so the above limitation or exclusion may not apply to you. This limited warranty gives you specific legal rights, and you may also have other rights, which vary from state to state.

NOTES

Please record the following information for future reference:

Installer _____

Date of installation _____

Model _____

Serial number _____

(Serial number is located on the bottom edge of the MCD6M)

Distributed by:

M&S SYSTEMS™


115823-2 Rev -

Printed in the U.S.A.
